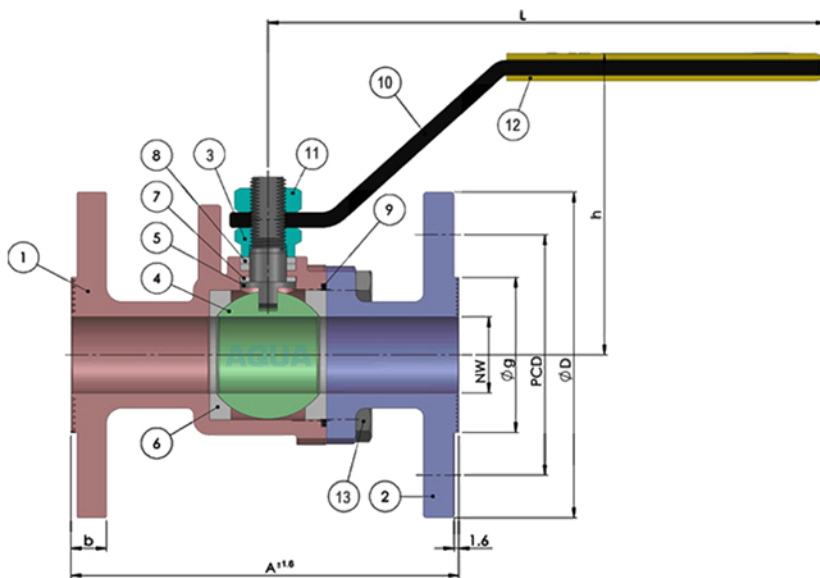


**Flanged End, 2 Piece, Full Port,
Class 300, Size 15-40**

SERIES 75 - F3



| SIZE | DIMENSIONAL DATA IN MM | | | | | | | | | NO. OF HOLES | QTY | TAG NO. |
|------|------------------------|----|-----|-----|-----|------|----|-------|--------|--------------|-----|---------|
| | A | NW | h | L | ØD | b | Øg | PCD | Hole Ø | | | |
| 15 | 140 | 13 | 80 | 110 | 95 | 14.5 | 35 | 66.7 | 16 | 4 | | |
| 20 | 152 | 19 | 85 | 175 | 117 | 16 | 43 | 82.5 | 19 | 4 | | |
| 25 | 165 | 25 | 90 | 175 | 124 | 17.5 | 51 | 88.9 | 19 | 4 | | |
| 32 | 178 | 32 | 95 | 180 | 133 | 19.5 | 64 | 98.4 | 19 | 4 | | |
| 40 | 190 | 38 | 110 | 180 | 156 | 21 | 73 | 114.3 | 22 | 4 | | |



Manufacturing Standard : BS 5351
Hydrostatic & Pneumatic : BS 5146

Test For Class 300

Shell Hydro 77.5 /65 kg/cm²
Seat Hydro Gr.B-51, Gr.C-42, Gr.D-32 Kg/cm²
Seat Air 7 Kg/cm²

Flanged to ANSI -B 16.5 RF - Standarad
Fire safe with antistatic device and other flange drilling on request

| NO. | PART NAME | MATERIAL | | | | | | | | | | | |
|-----|---------------|----------|---|---|---|------|----------------|---|-----|---|---|---|--|
| | | A | B | C | D | H | a | I | J | W | Y | Z | |
| 1 | Body | A | B | C | D | H | a | I | J | W | Y | Z | |
| 2 | Side Piece | A | B | C | D | H | a | I | J | W | Y | Z | |
| 3 | Gland Nut | G | E | F | D | U | b | I | J | | | | |
| 4 | Ball | G | E | F | D | U | b | I | J | | | | |
| 5 | Stem | G | E | F | D | U | b | I | J | | | | |
| 6 | Seat | PTFE | | | | | GFT | | | | | | |
| 7 | Stem Seal | GFT | | | | | | | | | | | |
| 8 | Gland Packing | GRAFOIL | | | | PTFE | | | GFT | | | | |
| 9 | Body Seal | GRAFOIL | | | | PTFE | | | GFT | | | | |
| 10 | Lever | E | | | | | STEEL (PLATED) | | | | | | |
| 11 | Lever Nut | STEEL | | | | | | | | | | | |
| 12 | PVC Grip | PVC | | | | | | | | | | | |
| 13 | Body Stud Nut | L | M | N | R | S | T | | | | | | |

- A** = ASTM A-216 Gr.WCB
- B** = ASTM A-351 Gr.CF8
- C** = ASTM A-351 Gr.CF8M
- D** = ASTM A-351Gr.CN7M
- E** = AISI - 304
- F** = AISI - 316
- G** = AISI - 410
- H** = ASTM A-351 Gr.CF3
- I** = ASTM A-494 N 12 M1
- J** = ASTM A-494 CW12 M1
- L** = ASTM A-193 Gr.B7
- M** = ASTM A-193 Gr. B8
- N** = ASTM A-193 Gr. B8M
- R** = ASTM A-194 Gr.2H
- S** = ASTM A-194 Gr.8
- T** = ASTM A-194 Gr.8M
- a** = ASTM A-351 Gr.CF3M
- b** = AISI - 316L
- U** = AISI - 304L
- W** = ASTM A-105
- Y** = ASTM A-182 F-304
- Z** = ASTM A-182 F-316
- GFT** = GLASS FILLED TEFLON
- PTFE** = POLY TETRA FLUORO ETHYLENE
- PVC** = POLY VINYL CHLORIDE

CUSTOMER :
ORDER NO :
JOB/PROJECT :

Development is continuous and specifications are subject to alterations at any time without notice

Drg. No : ACVPL/75-F3/15-40 / 2 PC

OUR Ref :

Aqua Control Valves Pvt. Ltd.,
D/72, C/67, Industrial Estate,
Udyambag, BELGAUM - 590 008
Karnataka State,
INDIA