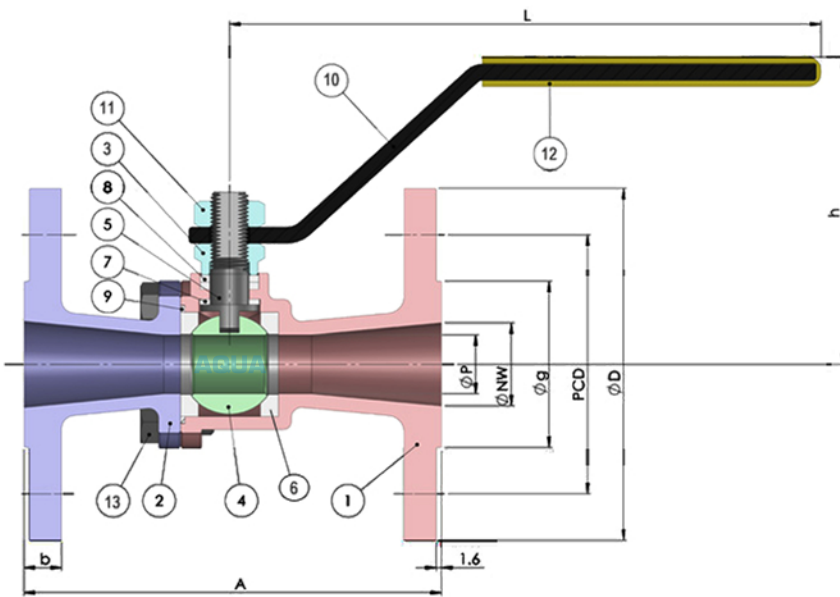


**Flanged End, 2 Piece, Reduced Port,
Class 300, Size 15-50**

SERIES 75 - R3



SIZE	DIMENSIONAL DATA IN MM										NO. OF HOLES	QTY	TAG NO.
	A	ØP	NW	h	L	ØD	b	Øg	PCD	Hole Ø			
15	140	9.5	13	75	110	95	14.3	35	66.7	16	4		
20	152	13	19	80	110	117	15.9	43	82.5	19	4		
25	165	19	25	85	175	124	17.5	51	88.9	19	4		
32	178	25	32	90	175	133	19	64	98.4	19	4		
40	190	32	38	95	190	156	20.6	73	114.3	22	4		
50	216	38	51	110	190	165	22.2	92	127	19	8		



Manufacturing Standard : BS 5351
Hydrostatic & Pneumatic : BS 5146

Test For Class 300

Shell Hydro 77.5 /65 kg/cm²g
Seat Hydro Gr.B-51,Gr.C-42, Gr.D-32 Kg/cm²g
Seat Air 7 Kg/cm²g

Flanged to ANSI -B 16.5 RF - Standarad
Fire safe with antistatic device and other flange drilling on request

NO.	PART NAME	MATERIAL										
		A	B	C	D	H	a	I	J	W	Y	Z
1	Body	A	B	C	D	H	a	I	J	W	Y	Z
2	Side Piece	A	B	C	D	H	a	I	J	W	Y	Z
3	Gland Nut	G	E	F	D	U	b	I	J			
4	Ball	G	E	F	D	U	b	I	J			
5	Stem	G	E	F	D	U	b	I	J			
6	Seat	PTFE					GFT					
7	Stem Seal	GFT										
8	Gland Packing	PTFE			GFT			GRAFOIL				
9	Body Seal	PTFE			GFT			GRAFOIL				
10	Lever	E					STEEL (PLATED)					
11	Lever Nut	STEEL										
12	PVC Grip	PVC										
13	Body Stud Nut	L	M	N	R	S	T					

- A** = ASTM A-216 Gr.WCB
- B** = ASTM A-351 Gr.CF8
- C** = ASTM A-351 Gr.CF8M
- D** = ASTM A-351Gr.CN7M
- E** = AISI - 304
- F** = AISI - 316
- G** = AISI - 410
- H** = ASTM A-351 Gr.CF3
- I** = ASTM A-494 N 12 M1
- J** = ASTM A-494 CW12 M1
- L** = ASTM A-193 Gr.B7
- M** = ASTM A-193 Gr. B8
- N** = ASTM A-193 Gr. B8M
- R** = ASTM A-194 Gr.2H
- S** = ASTM A-194 Gr.8
- T** = ASTM A-194 Gr.8M
- a** = ASTM A-351 Gr.CF3M
- b** = AISI - 316L
- U** = AISI - 304L
- W** = ASTM A-105
- Y** = ASTM A-182 F-304
- Z** = ASTM A-182 F-316
- GFT** = GLASS FILLED TEFLON
- PTFE** = POLY TETRA FLUORO ETHYLENE
- PVC** = POLY VINYL CHLORIDE

CUSTOMER :
ORDER NO :
JOB/PROJECT :

Development is continuous and specifications are subject to alterations at any time without notice

Drg. No : ACVPL/75-R3/15-50 / 2 PC

OUR Ref :

Aqua Control Valves Pvt. Ltd.,
D/72, C/67, Industrial Estate,
Udyambag, BELGAUM - 590 008
Karnataka State,
INDIA