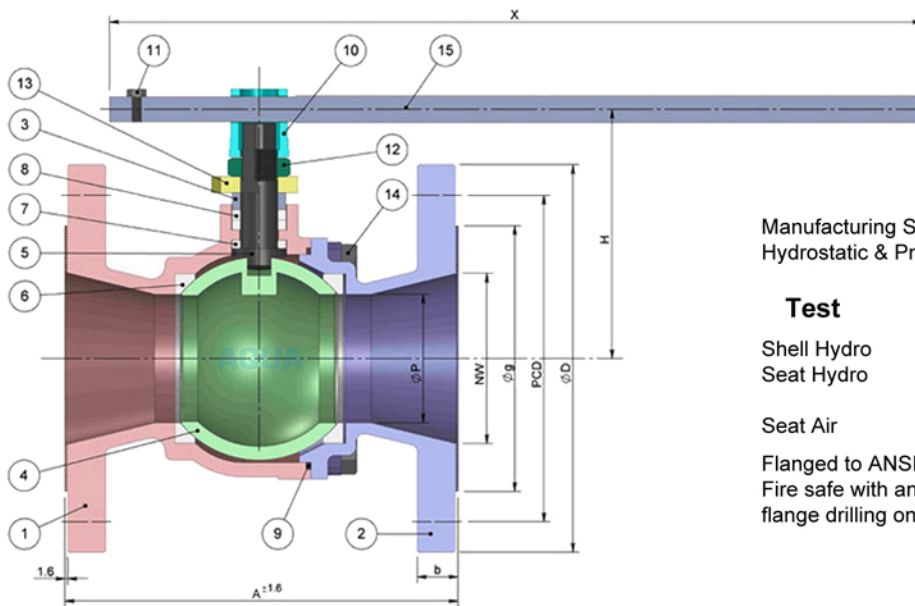


**Flanged End, 2 Piece, Reduced Port,
Class 300, Size 65-250**

SERIES 75 - R2



SIZE	DIMENSIONAL DATA IN MM										NO. OF HOLES	QTY	TAG NO.
	A	ØP	NW	h	X	ØD	b	Øg	PCD	Hole Ø			
65	241	51	63	152	260	191	25.5	105	149.2	22	8		
80	283	58	76	175	470	210	28.6	127	168.3	22	8		
100	305	76	102	200	500	254	31.8	157	200	22	8		
150	403	102	152	225	525	318	36.5	216	269.9	22	12		
200	419	152	203	275	715	381	41.3	270	330.2	25	12		
250	457	203	254	380	715	445	47.6	324	387.3	29	16		



Manufacturing Standard : BS 5351
Hydrostatic & Pneumatic : BS 5146

Test For Class 300

Shell Hydro 77.5 /65 kg/cm²
Seat Hydro Gr.B-51, Gr.C-42, Gr.D-32 Kg/cm²
Seat Air 7 Kg/cm²

Flanged to ANSI -B 16.5 RF - Standard
Fire safe with antistatic device and other flange drilling on request

NO.	PART NAME	MATERIAL							
		A	B	C	D	H	a	J	
1	Body	A	B	C	D	H	a	J	
2	Side Piece	A	B	C	D	H	a	J	
3	Gland	G	E	F	D	U	b	J	
4	Ball	P	B	C	D	H	a	J	
5	Stem	G	E	F	D	U	b	J	
6	Ball Seat	PTFE			GFT				
7	Stem Seal	GFT							
8	Gland Packings	GRAFOIL		GFT			PTFE		
9	Body Seal	GRAFOIL		GFT			PTFE		
10	Adapter	STEEL							
11	Bolt	L				R			
12	Check Nut	STEEL							
13	Stopper	STEEL							
14	Body Stud / Nut	L	M	N	R	S	T		
15	Pipe Wrench	C CLASS (PIPE)							

- A** = ASTM A-216 Gr.WCB
- B** = ASTM A-351 Gr.CF8
- C** = ASTM A-351 Gr.CF8M
- D** = ASTM A-351 Gr.CN7M
- E** = AISI - 304
- F** = AISI - 316
- G** = AISI - 410
- H** = ASTM A-351 Gr.CF3
- J** = ASTM A-494 CW 12 M1
- L** = ASTM A-193 Gr.B7
- M** = ASTM A-193 Gr. B8
- N** = ASTM A-193 Gr. B8M
- P** = ASTM A-217 Gr. CA1
- a** = ASTM A-351 Gr.CF3M
- b** = AISI - 316L
- R** = ASTM A-194 Gr.2H
- S** = ASTM A-194 Gr.8
- T** = ASTM A-194 Gr.8M
- U** = AISI - 304L
- PTFE** = POLY TETRA FLUORO ETHYLENE
- GFT** = GLASS FILLED TEFLON

CUSTOMER :
ORDER NO :
JOB/PROJECT :

Development is continuous and specifications are subject to alterations at any time without notice

Drg. No : ACVPL/75-R2/65-250 / 2 PC

OUR Ref :

Aqua Control Valves Pvt. Ltd.,
D/72, C/67, Industrial Estate,
Udyambag, BELGAUM - 590 008
Karnataka State,
INDIA