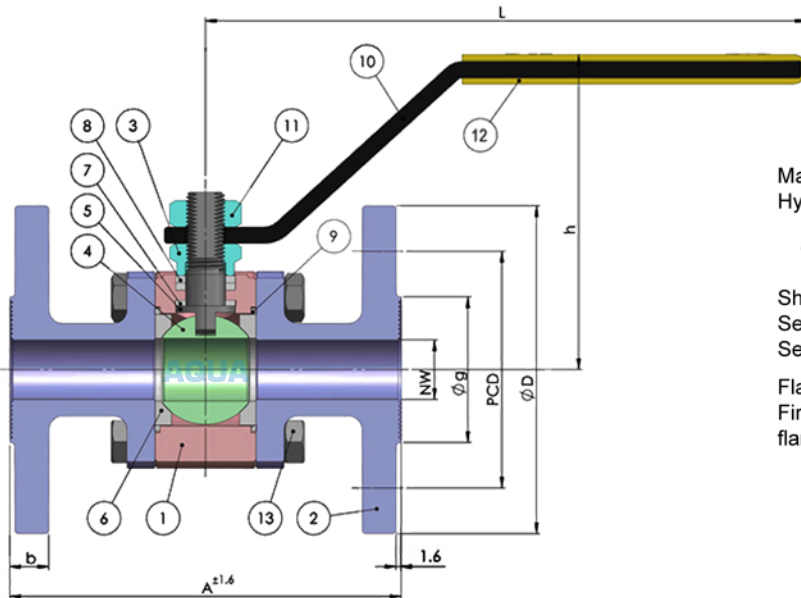


**Flanged End, 3 Piece, Full Port,  
Class 150, Size 15-40**

**SERIES 74 - F3**



SIZE	DIMENSIONAL DATA IN MM									NO. OF HOLES	QTY	TAG NO.
	A	NW	h	L	ØD	b	Øg	PCD	Hole Ø			
<b>15</b>	108	13	80	110	89	11.5	35	60.3	16	4		
<b>20</b>	117	19	85	175	98	13	43	70	16	4		
<b>25</b>	127	25	90	175	108	11.5	51	79.4	16	4		
<b>32</b>	140	32	95	180	117	13	64	89	16	4		
<b>40</b>	165	38	110	180	127	14.5	73	98.5	16	4		



Manufacturing Standard : BS 5351  
Hydrostatic & Pneumatic : BS 5146

**Test For Class 150**

Shell Hydro 31 kg/cm<sup>2</sup>g  
Seat Hydro 19.5 kg/cm<sup>2</sup>g  
Seat Air 7 Kg/cm<sup>2</sup>g

Flanged to ANSI-B 16.5 RF - Standard  
Fire safe with antistatic device and other  
flange drilling on request

- A** = ASTM A-216 Gr.WCB
- B** = ASTM A-351 Gr.CF8
- C** = ASTM A-351 Gr.CF8M
- D** = ASTM A-351Gr.CN7M
- E** = AISI – 304
- F** = AISI – 316
- G** = AISI – 410
- H** = ASTM A-351 Gr.CF3
- I** = ASTM A-494 N 12 M1
- J** = ASTM A-494 CW12 M1
- L** = ASTM A-193 Gr.B7
- M** = ASTM A-193 Gr. B8
- N** = ASTM A-193 Gr. B8M
- R** = ASTM A-194 Gr.2H
- S** = ASTM A-194 Gr.8
- T** = ASTM A-194 Gr.8M
- a** = ASTM A-351 Gr.CF3M
- b** = AISI – 316L
- U** = AISI – 304L
- W** = ASTM A-105
- Y** = ASTM A-182 F-304
- Z** = ASTM A-182 F-316
- GFT** = GLASS FILLED TEFLON
- PTFE** = POLY TETRA FLUORO ETHYLENE
- PVC** = POLY VINYL CHLORIDE

NO.	PART NAME	MATERIAL											
		A	B	C	D	H	a	I	J	W	Y	Z	
1	Body	A	B	C	D	H	a	I	J	W	Y	Z	
2	Side Piece	A	B	C	D	H	a	I	J	W	Y	Z	
3	Gland Nut	G	E	F	D	U	b	I	J				
4	Ball	G	E	F	D	U	b	I	J				
5	Stem	G	E	F	D	U	b	I	J				
6	Seat	PTFE						GFT					
7	Stem Seal	GFT											
8	Gland Packing	PTFE				GFT				GRAFOIL			
9	Body Seal	PTFE			GFT			GRAFOIL			SWG1		
10	Lever	E						STEEL (PLATED)					
11	Lever Nut	STEEL											
12	PVC Grip	PVC											
13	Body Stud Nut	L	M	N	R	S	T						

CUSTOMER :  
ORDER NO :  
JOB/PROJECT :

Development is continuous and specifications are subject to alterations at any time without notice

OUR Ref :

Drg. No : ACVPL/74-F3/15-40 / 3 PC

**Aqua Control Valves Pvt. Ltd.,**  
D/72, C/67, Industrial Estate,  
Udyambag, BELGAUM – 590 008  
Karnataka State,  
INDIA