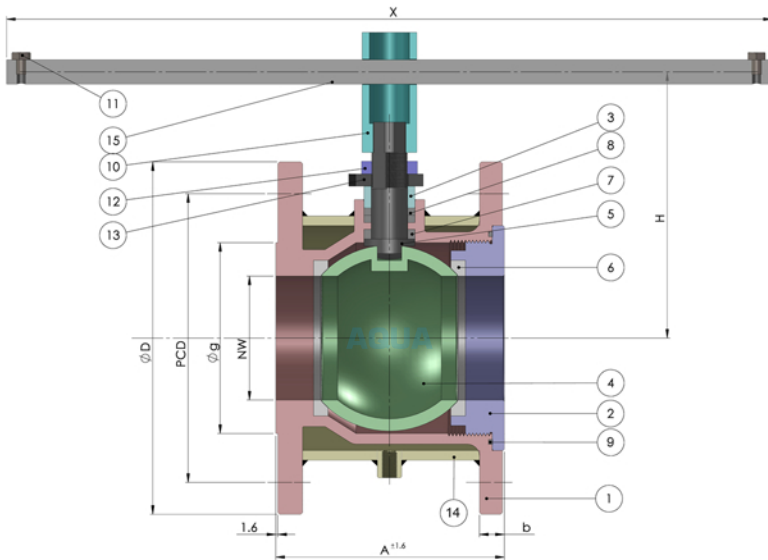


**Flanged End, Jacketed, Full Port,
Class 150, Size 25/50 to 150/250**

SERIES 74 - F1 - J



SIZE	DIMENSIONAL DATA IN MM							NO. OF HOLES	QTY	TAG NO.
	NW	A	L	H	ØD	PCD	Hole Ø			
25/50	25	130	175	95	152	120.6	19	4		
40/65	38	140	180	110	178	139.7	19	4		
50/80	50	150	260	150	191	152.4	19	4		
65/100	63	170	260	160	229	190.5	19	8		
80/150	76	180	460	175	279	241.3	22	8		
100/150	102	190	500	200	279	241.3	22	8		
150/250	152	267	550	225	406	362.0	25	12		



Manufacturing Standard : BS 5351
Hydrostatic & Pneumatic : BS 5146

Test For Class 150

Shell Hydro 31 kg/cm²
Seat Hydro 19.5 kg/cm²
Seat Air 7 Kg/cm²

Flanged to ANSI -B 16.5 RF - Standard
Fire safe with antistatic device and other
flange drilling on request

NO.	PART NAME	MATERIAL							
		A	B	C	D	H	a	J	
1	Body	A	B	C	D	H	a	J	
2	Body Insert	A	B	C	D	H	a	J	
3	Gland	E	F	D	U	b	J		
4	Ball	B	C	D	H	a	J		
5	Stem	E	F	D	U	b	J		
6	Seat	PTFE			GFT				
7	Stem Seal	GFT							
8	Body Seal	PTFE			GRAFOIL				
9	Gland Seal	PTFE		GRAFOIL		GFT			
10	Adaptor	STEEL							
11	Bolt	STEEL							
12	Gland Nut	F			L				
14	Jacket	E			MILD STEEL				
15	Operating Wrench	MILD STEEL			MS PIPE				

- A** = ASTM A-216 Gr.WCB
- B** = ASTM A-351 Gr.CF8
- C** = ASTM A-351 Gr.CF8M
- D** = ASTM A-351 Gr.CN7M
- E** = AISI - 304
- F** = AISI - 316
- G** = AISI - 410
- H** = ASTM A-351 Gr.CF3
- I** = ASTM A-494 N 12 M1
- J** = ASTM A-494 CW 12 M1
- L** = ASTM A-193 Gr.B7
- M** = ASTM A-193 Gr. B8
- N** = ASTM A-193 Gr. B8M
- R** = ASTM A-194 Gr.2H
- S** = ASTM A-194 Gr.8
- T** = ASTM A-194 Gr.8M
- U** = AISI - 304L
- W** = ASTM A-105
- Y** = ASTM A-182 F-304
- Z** = ASTM A-182 F-316
- a** = ASTM A-351 Gr.CF3M
- b** = AISI - 316L
- GFT** = GLASS FILLED TEFLON
- PTFE** = POLY TETRA FLUORO ETHYLENE

CUSTOMER :
ORDER NO :
JOB/PROJECT :

Development is continuous and specifications are subject to alterations at any time without notice

Drg. No : ACVPL/74-F1-J/25-150 / 1 PC

OUR Ref :

Aqua Control Valves Pvt. Ltd.,
D/72, C/67, Industrial Estate,
Udyambag, BELGAUM - 590 008
Karnataka State,
INDIA