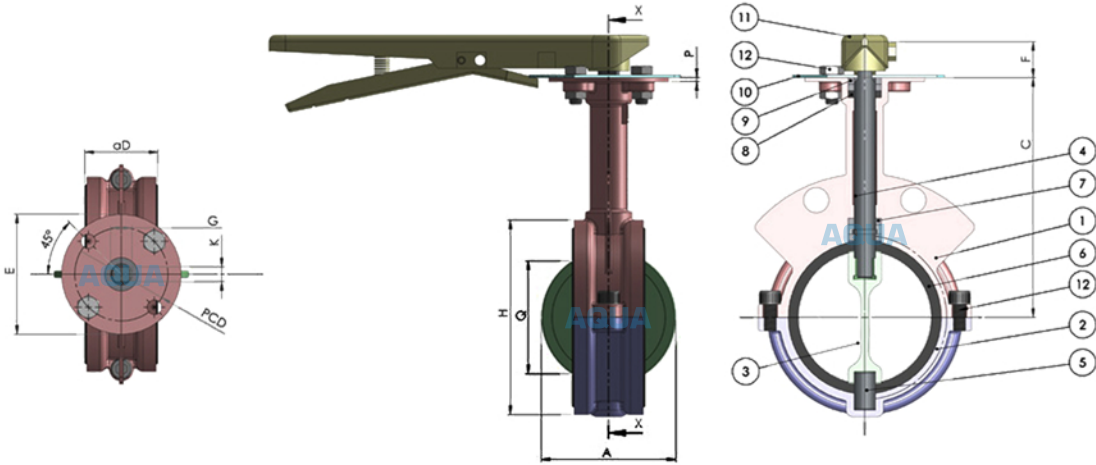


**Wafer Type, Resilient Seated, Thin Disk,
Butterfly Valve, Class PN10/PN16,
Size 50-300**

SERIES 202 - AC



SIZE	AØ	C	D	EØ	F	G	K	Q	H	Top Flange			QTY	TAG NO.
										P.C.D.	No. of Holes	Hole Ø		
50	50	135	43	90	25	14	10	33	85	70	4	11		
65	62	150	46	90	30	14	10	48	100	70	4	11		
80	78	160	46	90	30	14	10	65	115	70	4	11		
100	99	180	52	90	30	16	11	90	145	70	4	11		
125	124	195	56	90	30	19	13	117	175	70	4	11		
150	151	210	56	90	30	19	13	138	200	70	4	11		
200	195	240	60	152	32	22	16	189	260	127	4	14		
250	245	275	68	152	50	22	22	241	310	127	4	14		
300	290	310	78	152	50	22	22	291	365	127	4	14		



NO.	PART NAME	MATERIAL										
		A	B	C	D	I	K	P	Q			
1	Body(Upper)	A	B	C	D	I	K	P	Q			
2	Body(Lower)	A	B	C	D	I	K	P	Q			
3	Disc	A	B	C	D	I	K	P	Q			
4	Stem Upper		E			F			G			
5	Stem Lower		E			F			G			
6	Replaceable Sleeve		H		J		L		O			
7	Stem Packing		PTFE				GFT					
8	Bush		H		J		L		O			
9	Gland Packing		PTFE				GFT					
10	Stopper Plate		Mild Steel									
11	Lever		Mild Steel									
12	Nut Bolts		B7				2H					

- A** = ASTM A-216 Gr.WCB
- B** = ASTM A-351 Gr.CF8
- C** = ASTM A-351 Gr.CF8M
- D** = ASTM A-351 Gr.CN7M
- E** = AISI - 304
- F** = AISI - 316
- G** = AISI - 410
- I** = ASTM A-494 N 12 M1
- H** = NEOPRENE
- J** = EPDM
- L** = NITRILE
- O** = VITON
- P** = S G IRON
- Q** = DUCTILE IRON
- W** = ASTM A-105
- Y** = ASTM A-182 F-304
- Z** = ASTM A-182 F-316
- PTFE** = POLY TETRA FLUORO ETHYLENE
- GFT** = GLASS FILLED TEFLON

CUSTOMER :
ORDER NO :
JOB/PROJECT :

Development is continuous and specifications are subject to alterations at any time without notice

Drg. No : ACVPL/202-AC/50-300

OUR Ref :

Aqua Control Valves Pvt. Ltd.,
D/72, C/67, Industrial Estate,
Udyambag, BELGAUM – 590 008
Karnataka State,
INDIA