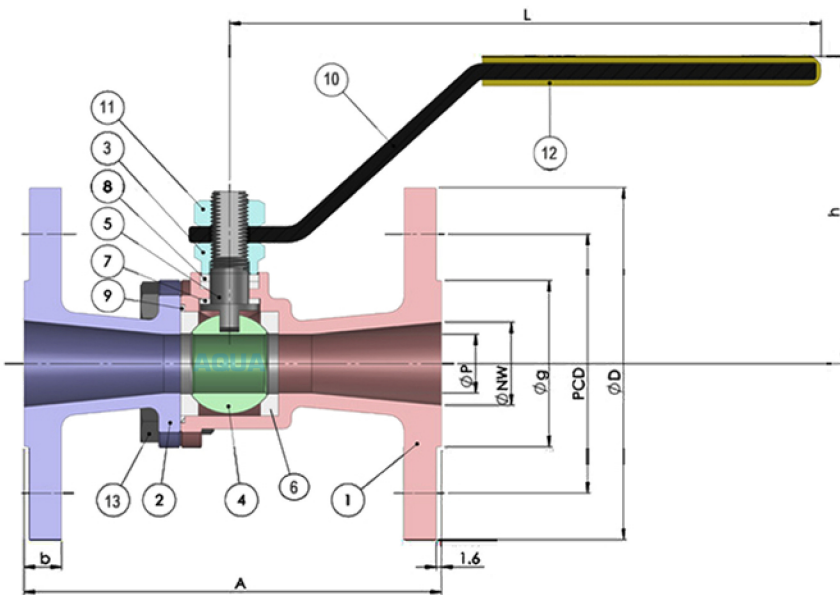


**Flanged End, 2 Piece, Reduced Port,
Class 150, Size 25-50**

SERIES 74 - R3



SIZE	DIMENSIONAL DATA IN MM										NO. OF HOLES	QTY	TAG NO.
	A	ØP	NW	H	L	ØD	b	Øg	PCD	Hole Ø			
25	127	19	25	80	175	106	11.5	51	78	16	4		
40	165	32	38	100	240	125	14.3	71	98.5	16	4		
50	175	38	50	110	240	150	15.9	90	120.6	19	4		



Manufacturing Standard : BS 5351
Hydrostatic & Pneumatic : BS 5146

Test For Class 150

Shell Hydro 31 kg/cm²g
Seat Hydro 19.5 kg/cm²g
Seat Air 7 Kg/cm²g

Flanged to ANSI -B 16.5 RF - Standard
Fire safe with antistatic device and other flange drilling on request

NO.	PART NAME	MATERIAL											
		A	B	C	D	H	a	I	J	W	Y	Z	
1	Body	A	B	C	D	H	a	I	J	W	Y	Z	
2	Side Piece	A	B	C	D	H	a	I	J	W	Y	Z	
3	Gland Nut	G	E	F	D	U	b	I	J				
4	Ball	G	E	F	D	U	b	I	J				
5	Stem	G	E	F	D	U	b	I	J				
6	Seat	PTFE			GFT			GRAFOIL					
7	Stem Seal	PTFE			GFT			GRAFOIL					
8	Gland Packing	PTFE			GFT			GRAFOIL					
9	Body Seal	PTFE			GFT			GRAFOIL					
10	Lever	E					STEEL (PLATED)						
11	Lever Nut	STEEL											
12	PVC Grip	PVC											
13	Body Stud Nut	E	L	M	N	R	S	T					

- A** = ASTM A-216 Gr.WCB
- B** = ASTM A-351 Gr.CF8
- C** = ASTM A-351 Gr.CF8M
- D** = ASTM A-351Gr.CN7M
- E** = AISI - 304
- F** = AISI - 316
- G** = AISI - 410
- H** = ASTM A-351 Gr.CF3
- I** = ASTM A-494 N 12 M1
- J** = ASTM A-494 CW12 M1
- L** = ASTM A-193 Gr.B7 / Gr.10.9
- M** = ASTM A-193 Gr. B8
- N** = ASTM A-193 Gr. B8M
- R** = ASTM A-194 Gr.2H
- S** = ASTM A-194 Gr.8
- T** = ASTM A-194 Gr.8M
- a** = ASTM A-351 Gr.CF3M
- b** = AISI - 316L
- U** = AISI - 304L
- W** = ASTM A-105
- Y** = ASTM A-182 F-304
- Z** = ASTM A-182 F-316

GFT = GLASS FILLED TEFLON
PTFE = POLY TETRA FLUORO ETHYLENE
PVC = POLY VINYL CHLORIDE

CUSTOMER :
ORDER NO :
JOB/PROJECT :

Development is continuous and specifications are subject to alterations at any time without notice

Drg. No : ACVPL/74-R3/15-50 / 2 PC

OUR Ref :

Aqua Control Valves Pvt. Ltd.,
D/72, C/67, Industrial Estate,
Udyambag, BELGAUM - 590 008
Karnataka State,
INDIA